

SMART

ti circonda di calore

OPALE SMART

Electric oven for pizzeria



DATA SHEET

EXTERNAL STRUCTURE

- Structure made up of painted steel sheet
- Countertop with support surface in granite of Etna lava rock
- Control board placed on the front of the oven

INNER STRUCTURE

- Baking chamber made of refractory material
- Baking ground made of vesuvian clay
- Roof and bed plate with stainless steel incoloy heaters that make a direct irradiation

DIMENSIONS

Ext. height	80 cm
Ext. depth	86 cm
Ext. dept with countertop	116 cm
Ext. width	110 cm
Weight	240 kg

i
ti circonda di calore



BAKING CAPABILITY

4 pizzas diameter 33 cm

ELECTRIC SUPPLY AND POWER

Supply	400 V/3 + N
Max. power	10 kW
Power cable	H07 RN-F
Temp.°C	490°

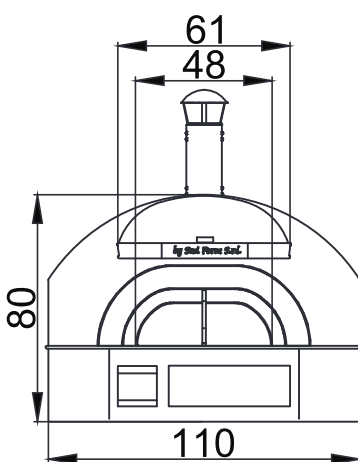
I dati sono suscettibili a variazioni in accordo al differente utilizzo delle attrezzature

NOTE: SUD FORNI Srl si riserva il diritto di modificare senza preavviso le caratteristiche dei prodotti presentati in questa pubblicazione

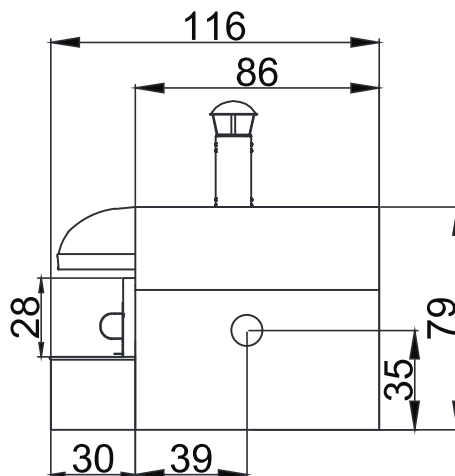
CHAMBER DIMENSIONS

70 cm x 70 cm x23 cm

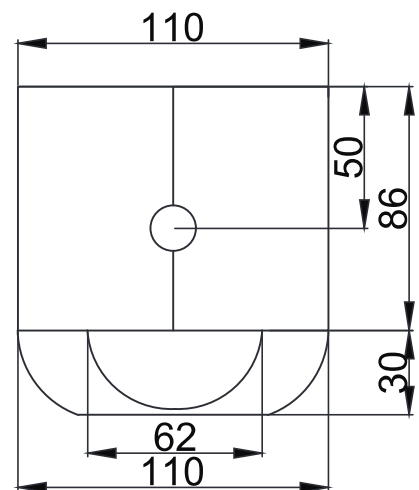
FRONT VIEW



RIGHT SIDE VIEW



TOP VIEW



NOTE: The values displayed in the views are given in centimeters