

DATA SHEET

EXTERNAL STRUCTURE

- Structure made of painted steel sheet
- Countertop with surface in granite of Etna lava rock
- Touch control board placed at the bottom right with closing door

INTERNAL STRUCTURE

- Baking chamber made of refractory material
- Baking ground made of vesuvian clay
- Roof and ground with stainless steel incoloy heaters that make a direct irradiation.

DIMENSIONS

Ext. height	174 cm
Ext. depth	114 cm
Ext. depth with countertop	146 cm
Ext. width.	132 cm
Weight	550 kg



BAKING CAPACITY

5 pizzas diameter 33 cm

Date are susceptible to variations in line with the different use of the equipment

SUPPLY AND POWER

Supply	400 V/3 + N
Max. power.	13 kW
Power cable	H07 RN-F
Temp.°C	490°

NOTE: SUD FORNI Srl reserves the right to change without notice the characteristics of the products presented in this publication.

CHAMBER DIMENSIONS

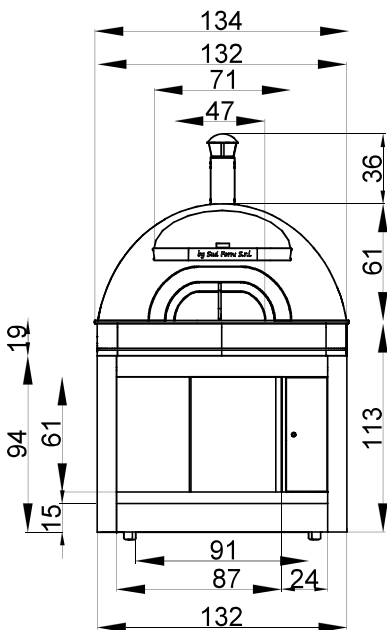
75 cm x 75 cm x23 cm



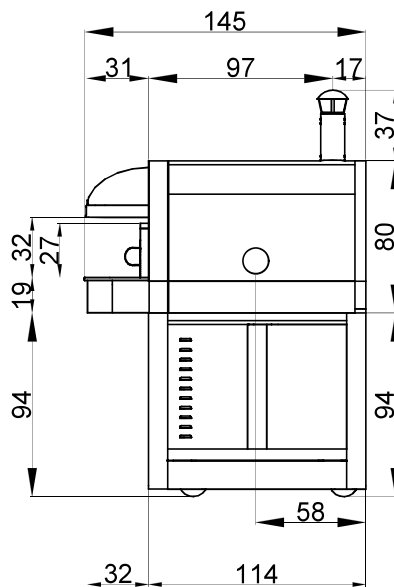
MINI
Electric oven for pizzeria



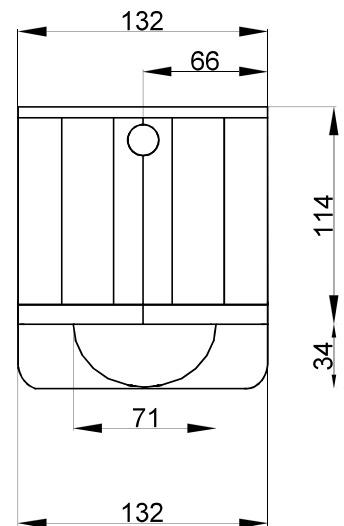
FRONT VIEW



RIGHT SIDE VIEW



TOP VIEW



NOTE: The dimensions reported in the views are expressed in centimeters