

# DATA SHEET

## EXTERNAL STRUCTURE

- Structure made of painted steel sheet
- Countertop with surface in granite of Etna lava rock
- Touch control board placed at the bottom right with closing door

## INNER STRUCTURE

- Baking chamber made of refractory material
- Baking ground made of vesuvian clay
- Roof and ground with stainless steel incoloy heaters that make a direct irradiation

## DIMENSIONS

Ext. Height	190 cm
Ext. Depth	155 cm
Ext. Depth with countertop	185 cm
Ext. Width	180 cm
Weight	900 kg



## BAKING CAPACITY

9 pizzas diameter 33 cm

Date are susceptible to variations in line with the different use of the equipment

## SUPPLY AND POWER

Supply	400 V/3 + N
Max. Power	19 kW
Power cable	H07 RN-F
Temp. °C	490°

NOTE: SUD FORNI Srl reserves the right to change without notice the characteristics of the products presented in this publication.

## CHAMBER DIMENSIONS

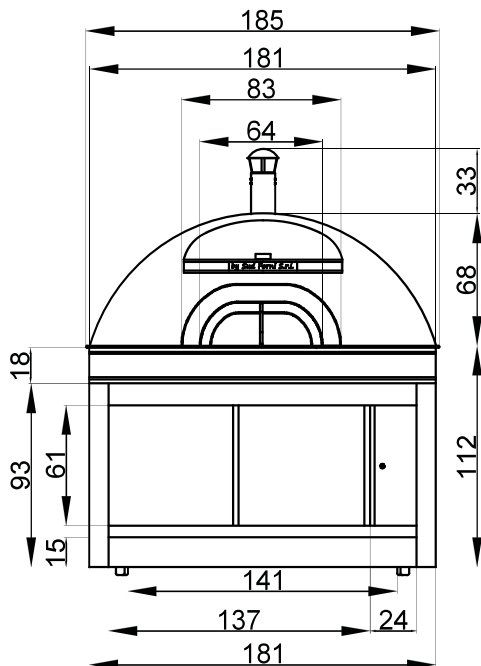
125 cm x 125 cm x23 cm

# MAXI

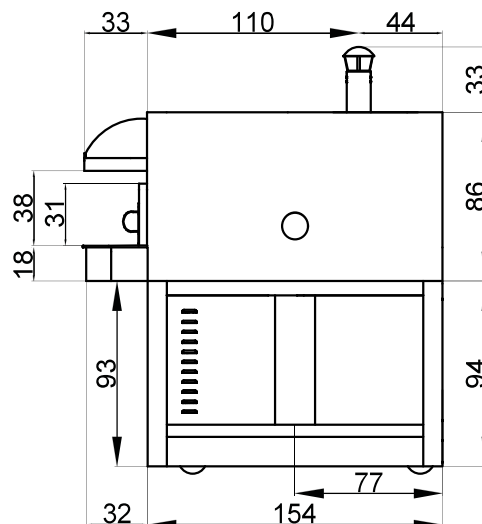
Electric oven pizzeria



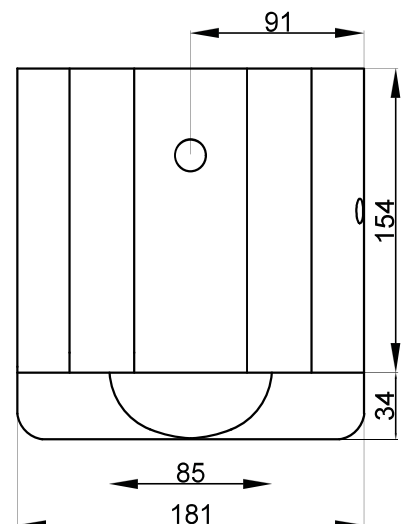
FRONT VIEW



RIGHT SIDE VIEW



TOP VIEW



NOTE: The dimensions reported in the views are expressed in centimeters